



GB



REBOTEC

REBOTEC® Rehabilitationsmittel GmbH
PO Box Q541
Queen Victoria Building
NSW 1230

rebotec.com.au
info@rebotec.com.au



BA No.: 02.06.083/20106-12

User Manual

Stationary Shower Commode Chairs

Koln 340.xx.xx
Serial Number

Zwickau 332.xx.xx
Serial Number

Konstanz 341.xx.xx
Serial Number

Kiel 347.xx.xx Height-adjustable
Serial Number

Wurzbu 333.xx.xx Height-adjustable
Serial Number

Ulm 348.xx.xx Height-adjustable
Serial Number

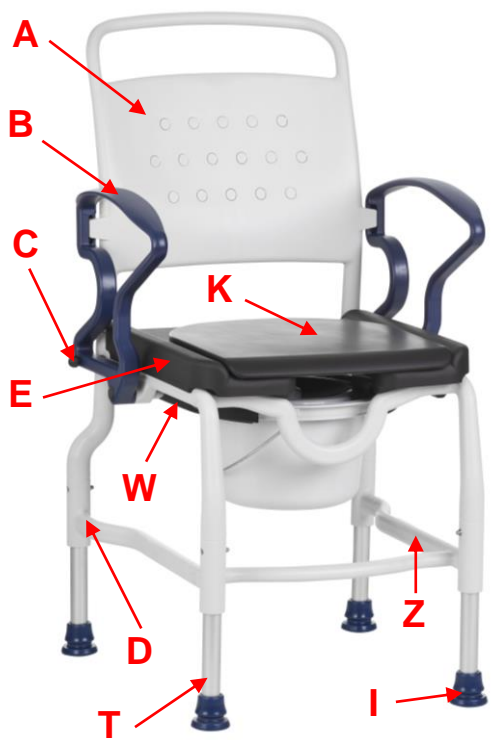


Important suggestions!

- Read this user manual **before first use** of the chair and keep it at hand for the user.
- Keep this user manual at hand for future use and resale.
- The user instructions and the maintenance manual are downloadable on our homepage.



Product description



Kiel / Köln

Würzburg / Zwickau



Chair picture shows:

A	Backrest
B	Armrest (swingable)
C	Locking pins
D	Chair frame with braces
E	PUR seat with or without hygiene opening
F	Shower seat
G	Toilet seat
I	Leg caps
K	PUR seat cushion (removable)
R	PUR back cushion
T	Height adjustment-legs/seat height
V	Commode pan with lid
W	Pan receptacle
Z	Nameplate for product

Packaging

We recommend you to keep the packaging for a later transport. This will allow a secure packaging for a return transport.



Table of Contents

1.	General suggestions	2
1.1	Introduction	2
1.2	Symbols	2
1.3	Intended proper use	3
1.4	Use and storage	3
1.5	Features	3
2.	Warranty	3
3.	Spare parts orders, complaints	3
4.	Reuse, lifetime	3
5.	Disposal	3
6.	Safety advisories, use	4
7.	Product specifications	4
7.1	Scope of delivery	4
7.2	Technical specifications	4
8.	Spare parts, accessories	5
9.	Setting up the chair for use	5
10.	Using the chair	5
10.1	Sitting down	5
10.2	Getting up	6
10.3	Swiveling the armrests outwards	6
10.4	Removing the seat	6
10.5	Removing the back cushion	6
10.6	Handling the commode pan	6
10.7	Adjusting the seat height	6
11.	Troubleshooting	7
12.	Care	7
13.	Maintenance, Repair	8

1. General suggestions

1.1 Introduction

In this manual you will find information on safe and proper installation, use, operation, maintenance and care of the chairs.

Read these operating instructions carefully before using the product. Note in particular the safety instructions and act accordingly.

1.2 Symbols



Read the User Manual!



Product conforms to the
Medical Products Directive 93/42/EEC



Caution!
suggestions



Information!



Danger – Follow safety instructions!



Care



Maintenance

1.3 Intended proper use

The shower/commode stationary chair is for household and out-patient purposes. The chair is to be used exclusively for assistance during showering or bathing and using a toilet inside buildings.

The shower/commode chair is not designed for long periods of sitting.

1.4 Use and storage



Watch out! Risk of damage

The operating temperature of the product should be between **+5 degrees to +40 degrees (Celsius)**. Store the product in a dry place at a temperature between **0 to +40 degrees (Celsius)** and humidity of **30-55%**. Outside these conditions, the product could be used only shortly. Do not store the product near heat sources. Avoid direct sunlight on the product.

The chair is not suitable for use in wet areas (e.g. for saunas, areas with swimming pool-like conditions), as surface discoloration and adverse effects on the mechanical strength can result.

1.5 Features

The chairs are made of a corrosion-resistant frame and tubes and four fixed legs. The armrests can be swivelled back. For some models, the seat height is adjustable to three levels, and the back rests are cushioned in addition.

Shower chair

The shower chair may be used where the use of or access to a conventional shower or bathtub is no longer possible due to patient physical limitations. The shower must be designed so that the chair is stable.

Commode chair

The commode chair may be used where the use of or access to a conventional toilet is no longer possible due to patient physical limitations. The seat surface has a toilet-like cut-out under which a toilet pan with a lid that can be pushed in.

Shower/Commode chair

A shower and commode chair is a combination of both applications.

2. Warranty

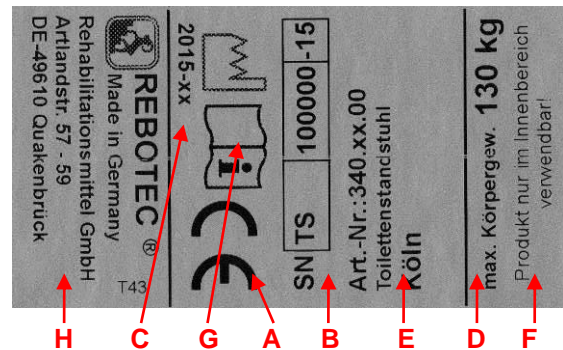
The product has a warranty of **2 years**, when noticing/respecting our general terms and conditions and the intended use of the product. Unauthorized changes made to the product, without the consent of the manufacturer will void the warranty.



The delivery date written on the REBOTEC-delivery note applies as the valid start date of the warranty period.

3. Nameplate / ordering of spare parts

On the nameplate you can find the following important information:



A	Mark of conformity (CE)
B	Serial number-product
C	Production year
D	Load
E	Product name
F	Note (use)
G	Read User Manual
H	Manufacturer details

The nameplate is very important for product identification, and thus must not be removed.

4. Reuse, lifetime

The product is suitable for reuse. The number of reoperations depends on the frequency of use and manner of use of the product. Before reuse, the product needs to be hygienically prepared and if necessary the technical-functional safety of the product need to be renewed.

If the product is used as intended, according to the safety, the lifetime of the product is 5 years. The effective lifetime depends on the frequency and intensity of use, and the general condition.

5. Disposal

Products that can no longer be used are to be disposed of separately from regular household rubbish. This must be done according to the local and national regulations for environmental protection and raw material recycling. Please contact your local disposal company or officials for further information.



6. Safety advisories for use



When using the chair, the following safety instructions must be observed:

Danger of slipping!

- Before using, check to be sure the seat is securely pressed into the seat frame.
- When sitting down into the chair, the user must not sit on the front edge of the seat or seat cushion. Be sure the user sits all the way back on the seat

Danger of tipping over!

- The chair may be used when sitting only when the armrests are locked into position.
- The chair may be used only on solid, even surfaces.
- Do not lean out of the chair.
- For the height adjustable chair, follow the height adjustment instructions when adjusting the height.
- Adjust all four 4 chair legs to the same height.
- When adjusting the height of the chair, always observe the applicable instructions.
- Do not use the chair when the leg suction caps are worn!

Danger of breakage!

- **The chair is suitable only for sitting on by persons. Be sure to observe the maximum allowable patient body weight (specified on the nameplate).**
- **Never** attempt to carry or lift the chair while a patient is sitting in it.
- Never expose the chair to wide temperature variations. Observe the instructions concerning the temperature range of use (**see: 1.4**).
- Do not grab hold of or pull on attached objects, such as armrest cushions.

Danger of pinching!

- To prevent body parts or objects from getting pinched, never reach into the hinge area when turning the armrests up or down. Be sure to check that the hinge areas are unobstructed before moving the armrests!
- To prevent body parts from getting pinched, do not reach between the seat and the frame when pressing the seat into the seat frame.

Danger of falling!

- Sitting down, standing up and moving the patient should be supervised by a qualified care-worker, as to the health condition of the patient.
- Use of the chair by patients who do not have complete physical control and normal movement must be done with supervision.

Warning! Danger of Injury!

- At surface temperatures over 40°C (104°F), there's a risk of injury. Therefore do not expose the chair to any source of heat (exposure to the sun, storing near a heater, cleaning with hot water) just before the chair is used. Before using the chair, allow it to cool down.

7. Product specifications

7.1 Scope of delivery

The product has been carefully inspected in the factory for freedom of defects and for completeness. After having received it, carefully check over the product for possible transport damages and for completeness.

- 1 shower / commode chair
- 1 back-rest
- 1 seat
- 1 commode pan (optional)
- 1 Allen wrench (optional)
- 1 User Manual

7.2. Technical specifications

We reserve the right to make technical developments and improvements with respect to the design shown in the User Manual.

Production tolerance of dimensions: +/- 5 mm

Dimensions (ca.)	Köln	Kiel
A. height	1010 mm	990-1040 mm
B. width	570 mm	570 mm
C. depth	630 mm	630 mm
D. seat height	520 mm	510-560 mm
E. seat width	460 mm	460 mm
F. seat depth	450 mm	450 mm
G1. clearance*	440 mm	430-470 mm
G2. clearance*	480 mm	460-510 mm
Body weight	Max. 130 kg	Max. 130 kg
Product weight **	11.2 kg	11.2 kg
Dimensions (ca.)	Zwickau	Würzburg
A. height	1010 mm	990-1040 mm
B. width	570 mm	570 mm
C. depth	630 mm	630 mm
D. seat height	510 mm	500-550 mm
E. seat width	460 mm	460 mm
F. seat depth	450 mm	450 mm
G1 clearance*	430 mm	420-470 mm
G2 clearance*	480 mm	460-510 mm
Body weight	Max. 130 kg	Max. 130 kg
Product weight **	9.2 kg	9.2 kg

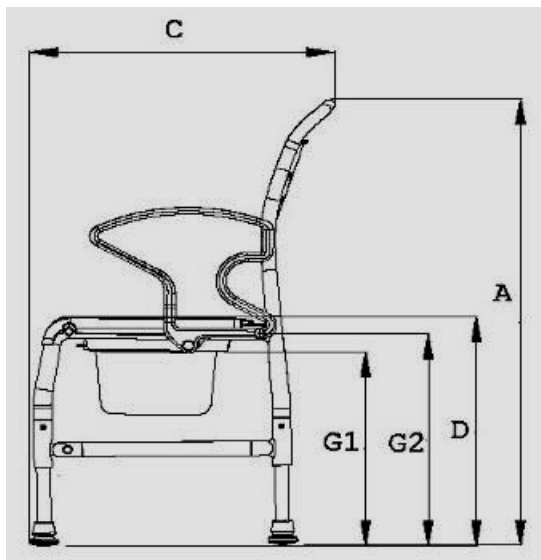
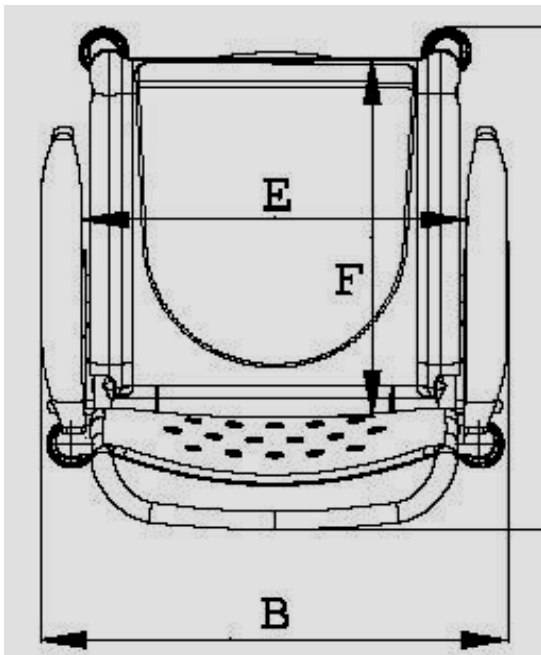


Dimensions (ca.)	Konstanz	Ulm
A. height	1010 mm	990-1040 mm
B. width	570 mm	570 mm
C. depth	630 mm	630 mm
D. seat height	540 mm	520-570 mm
E. seat width	460 mm	460 mm
F. seat depth	450 mm	450 mm
G1. clearance *	430 mm	410-460 mm
G2. clearance *	480 mm	460-510 mm
Body weight	Max. 130 kg	Max. 130 kg
Product weight **	11.8 kg	11.8 kg

* G1= with commode pan receptacle

* G2= without commode pan receptacle

** Figure: product weight without accessories



8. Spare parts, accessories

Article No.	Name
Spare parts list	
301. *	Commode pan with lid
307. *	Comm. seat - Standard (2-pc.)
440. * .04	PUR seat with opening
440. * .62	PUR seat cover
169. * .30	Suction caps 30 mm
02.07.083	User Manual
02.11.150	Maintenance Instructions

* Provide colour

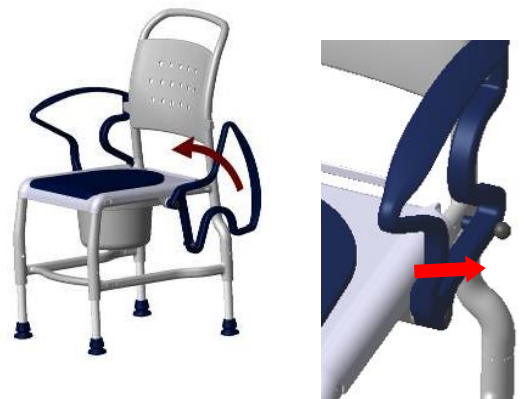
9. Setting up the chair for use

The product is delivered partially pre-assembled. The following assembly instructions must be carried out before first-time use:

- Swivel the armrests to the back, insert the backrest into the tubes of the chair frame and push it down until it hits the striker of the lower frame.



- Swivel the armrests forwards until they click into the slots of the backrest and the locking pins click into the lower frame. Be sure they are securely in place.




- For chairs with height adjustment, the seat height of the chair is set at its lowest position for delivery (Base setting). Adjust the height as necessary (see: 10.7).



10. Using the chair

When using the chair, the following points must be adhered to:

 Before use it must be assured that the chair is in a proper condition for safe use. If necessary, depending on the physical and strength limitations of the user (patient's ability to move and muscle strength), sitting down and getting up **should not be done without assistance from a care worker**. The chair may not be used for long patient transport times.

10.1 Sitting down

Before sitting down in the chair, be sure it is secured against slipping away (**see: 10.9**) and tipping over, that the armrests are locked into position, that the shower/commode seat is properly mounted, and that the footrests are folded away to the side or folded up.

1



The patient must stand as closely as possible near the chair. Then he has to sit down slowly on the whole seat during supporting himself with using both armrests.

If this is not possible due to his physical limitations, then a care-worker must assist him. If necessary a patient lifter may have to be used.

2



Caution – danger of falling!

To prevent the patient from falling out of the chair, be sure the patient is seated completely on the chair, and not just on the edge.

For transporting the patient, be sure he is leaned back against the seat back and be sure he uses the footrests.

10.2 Getting up

Before getting up, be sure the chair is stable and secured against slipping away (**see: 10.9**) and tipping over, that the armrests are locked in position, and the footrests are folded away to the side or folded up.

The patient must then move his body forward until his feet are flat on the floor.

3



The patient must then place both hands on the armrests and slowly lift himself up.

The patient must not lean too far forwards, in order to avoid falling.

The patient should have the care worker assist him when getting up.

10.3 Swivelling the armrests outwards

By pulling out the locking pin, the locking mechanism is disengaged and the armrests may be swivelled back. When swivelling the armrests up, check to be sure that the armrests are properly seated in the locking position of the backrest and locked by the locking pin.



Check the locking mechanism on a regular basis for impaired function arising from calcium deposits, which can impair the movement.

10.4 Removing the shower / commode seat

The seat can be removed from its receptacles on the chair frame for the purpose of cleaning or exchanging simply by pulling it up.

10.5 Removing the seat back cushion

The back cushion is fastened to the cross-brace or backrest with studs. Press the buttons to remove the back cushion.

10.6 Handling the commode pan

Push the commode pan under the seat from behind the chair. To remove the pan, lift it up slightly and pull it out.

For the model with a 2-piece toilet seat, the commode pan can also be removed from above by lifting the seat and put back as well.

10.7 Adjusting the seat height

For adjusting the seat for the patient or for placing over a toilet, the chair models Würzburg, Ulm, Kiel are height adjustable.

The height-adjustment (2 stages: each 25 mm) is done through the 4 leg inserts in the chair frame.



Danger of tipping over!

Be sure that all four chair legs are adjusted to the same height and that the screws are tightened by hand.

Step 1

To do the adjustment, we recommend laying the chair on its side. First remove the commode pan (if at hand) and the seat unit.

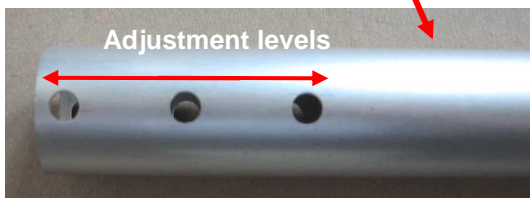
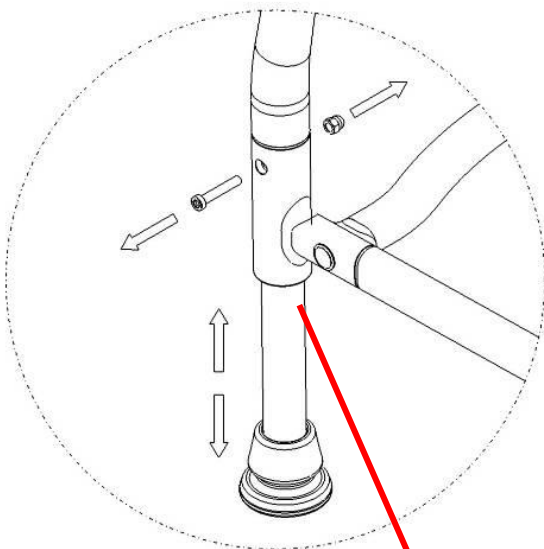


**Step 2**

Using an Allen wrench (A/F 5 mm), completely remove the screws (LH rotation) in the frame. When loosening the screws, press against the locking nut (underside).

**Step 3**

Pull the leg out or push it in until the hole lines up with the next adjustment position. Using the locking nut, screw the leg (right hand rotation) until tight (back side).




i *Clean the chair before re-using (see care instructions).*

11. Troubleshooting

Fault	Poss. cause	Correction
Armrests do not swivel properly	Locking pins are caked up with deposits	Clean, check periodically
Locking pins cannot be pulled out	Caked up, tension spring is jammed or defective	Clean, replace locking pin
Chair rocks	Suction caps are worn or damaged	Replace suction caps (always is pairs!)
Chair rocks	Legs are not set at equal heights	Check heights and adjust as necessary
Adjustable legs are jammed.	Calcium deposits, gumming up	Pull out legs and clean
Chair frame too unstable	Screws are loose	Tighten frame and castor screws
Chair frame or other parts are defective	Overloading, wear	See maintenance!

12. Care

 In general the chair can be cleaned using a mild conventional cleaning and disinfecting agent. Simply wipe the chair with clean water and cloth, and then wipe dry with a clean cloth.

Do not use an abrasive scouring agent or cleaner (read the product instructions!) that contain aggressive solvents (acids, thinners). Do not use stiff cleaning brushes, as these will damage the plastic surfaces or cause deposits to build up on the plastic parts and other materials.

i *Keep the product clean and clean it in regular intervals. In the sensitive areas is hygiene very important.*



13. Maintenance, Repair

The cause of accidents or damage may be due to the late detection of wear and/or improper use, as well as irregular or no maintenance.



For safety reasons and for preventing accidents, the chair must undergo a **complete maintenance at least once a year**. (Refer to the Medical Products Act and the MPBetreibV).



Maintenance

Periodic safety-related controls are needed:

- Check for apparent damage: (cracks, fractures, loose parts).
- All screwed connections for tightness (especially the frame).
- Function of the armrests and locking pins.
- Check accessories for defects.



Repair

- If you have questions concerning maintenance and repairs to the chair, then contact an authorized dealer or medical equipment supply outlet.
- When making repairs, use only original spare parts from REBOTEC. Observe all advisories concerning guarantee and warranty.
- Never make any unauthorised modifications or conversions to the chair. These will only adversely affect the safety and function of the chair. **In such cases REBOTEC assumes no liability!**
- Follow all the instructions when ordering spare parts, re-use and product lifetime of the chair.
- After a complete maintenance or repair of the chair is done, we recommend a complete cleaning for assuring hygiene. Follow the cleaning instructions.



For documenting maintenance, REBOTEC supplies a Maintenance Report – Chairs. Here you will find information on maintenance and forms for documentation. You can order the User Manual and Maintenance Report or see via our website at www.rebotec.de. It is possible to print out the information and to read it as needed.

NOTES:

We also supply

Walking aids
Shoulder crutches
Shower stools
Shower and commode chairs
Multifunction-Wheel Chairs Rollators
Patient lifting hoists Standing up aids

Your **REBOTEC** Team